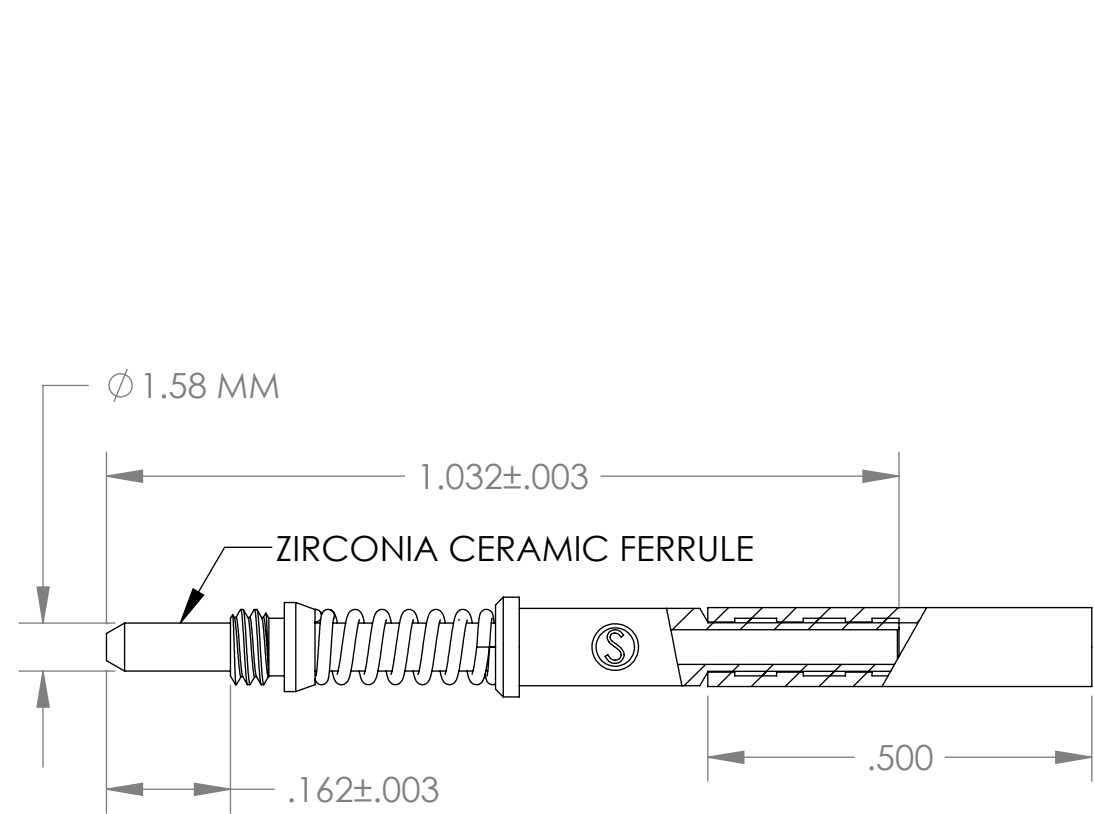
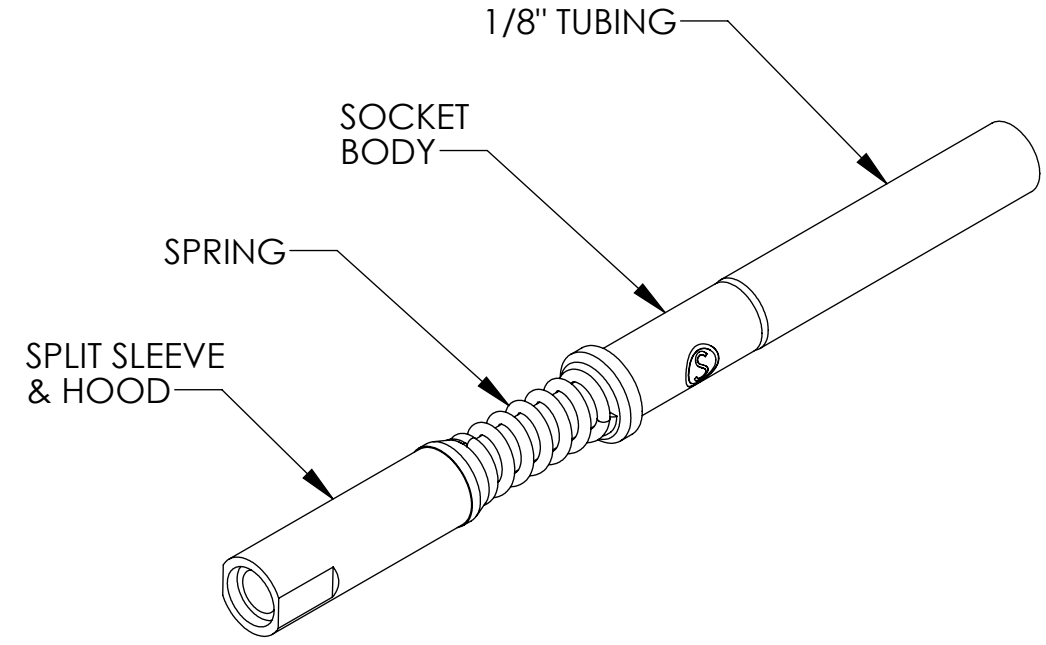


REV.	SCN NO.	REVISIONS	BY	DATE	APVD.
01		PRELIMINARY RELEASE	MGD	05/13/10	

ASSEMBLY P/N	ASSEMBLY DESCRIPTION
410-0048-126	TERMINI, SOCKET, 29504/5, 126 uM
410-0048-173	TERMINI, SOCKET, 29504/5, 173 uM



SPLIT SLEEVE & HOOD REMOVED THIS VIEW



- NOTES:
1. FOR COMMERCIAL USE ONLY.
  2. SOCKET BODY IS 300 SERIES STAINLESS STEEL - PASSIVATED.
  3. ALL DIMENSIONS ARE REFERENCE ONLY.

<b>TOLERANCES</b> .00 ± - .000 ± - .0000 ± - ANGLES ± -	DRAWN BY	DATE
	M. DECARLO	05/13/10
	CHECKED BY	DATE
	APPROVED BY	DATE
UNLESS OTHERWISE SPECIFIED ALL DIMENSIONS ARE IN INCHES. ALL DIMENSIONS APPLY AFTER PLATING.		
PROPRIETARY INFORMATION THIS DOCUMENT CONTAINS PROPRIETARY INFORMATION OF STRAN TECHNOLOGIES AND IS DELIVERED ON THE EXPRESSED CONDITIONS THAT IT IS NOT TO BE DISCLOSED OR REPRODUCED IN WHOLE OR PART, OR USED FOR MANUFACTURING FOR ANYONE OTHER THAN STRAN TECHNOLOGIES WITHOUT ITS WRITTEN CONSENT AND THAT NO RIGHT IS GRANTED TO DISCLOSE OR SO USE ANY INFORMATION CONTAINED IN SAID DOCUMENT.		
THIRD ANGLE PROJECTION	DWG. SIZE	PART NO.
	B	410-0048-XXX
CAGE CODE: 1HVU5	SCALE	REV.
	NONE	01

**CORNING**  
 39 GREAT HILL RD  
 NAUGATUCK, CT 06770

**TERMINI, SOCKET,  
 29504/5**

SHEET 1 OF 1

PART NO. 410-0048-XXX SH 1 REV. 01