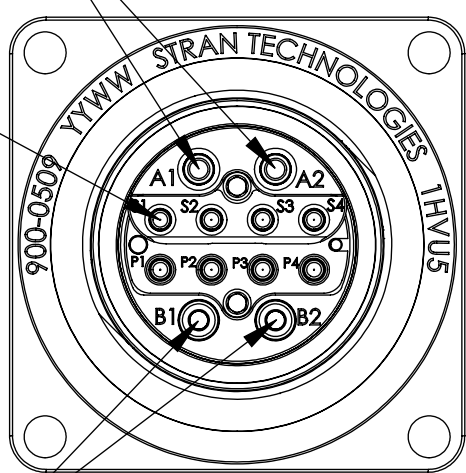


PART NO. 900-0509		SHEET 1	REV. 05
REV. 05	SCN NO.	REVISIONS PRELIMINARY CUD RELEASE	BY MGD DATE 12/14/11 APVD.

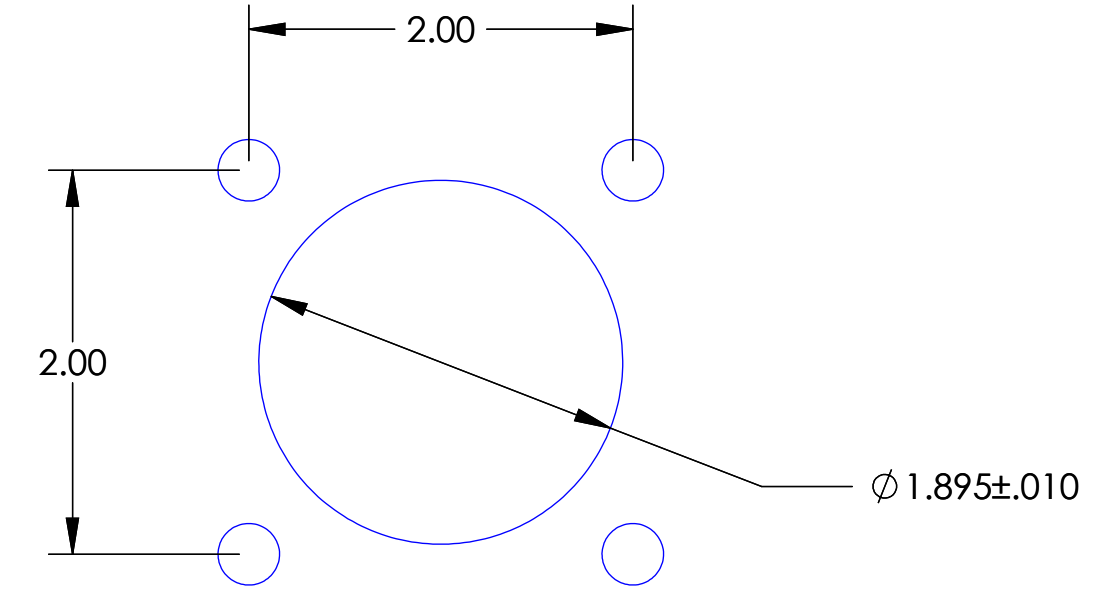
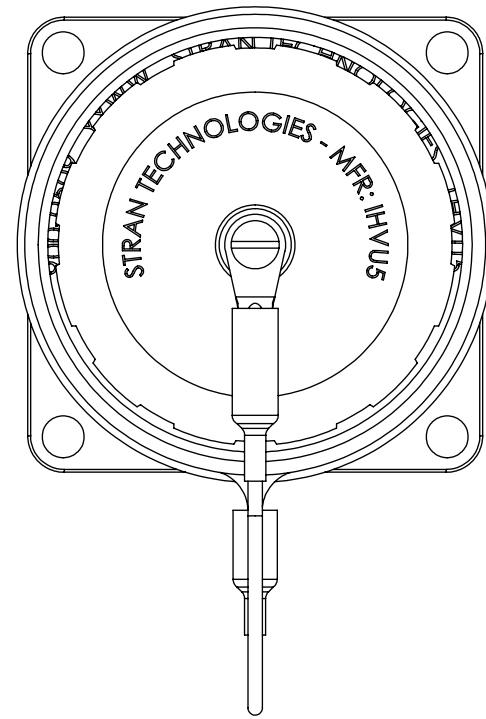
(2) 12 AWG ELECTRICAL SOCKET TERMINI
M39029/30

(8) 62.5/125 μM FIBER OPTIC TERMINI
8X

(2) 12 AWG ELECTRICAL PIN TERMINI
M39029/29

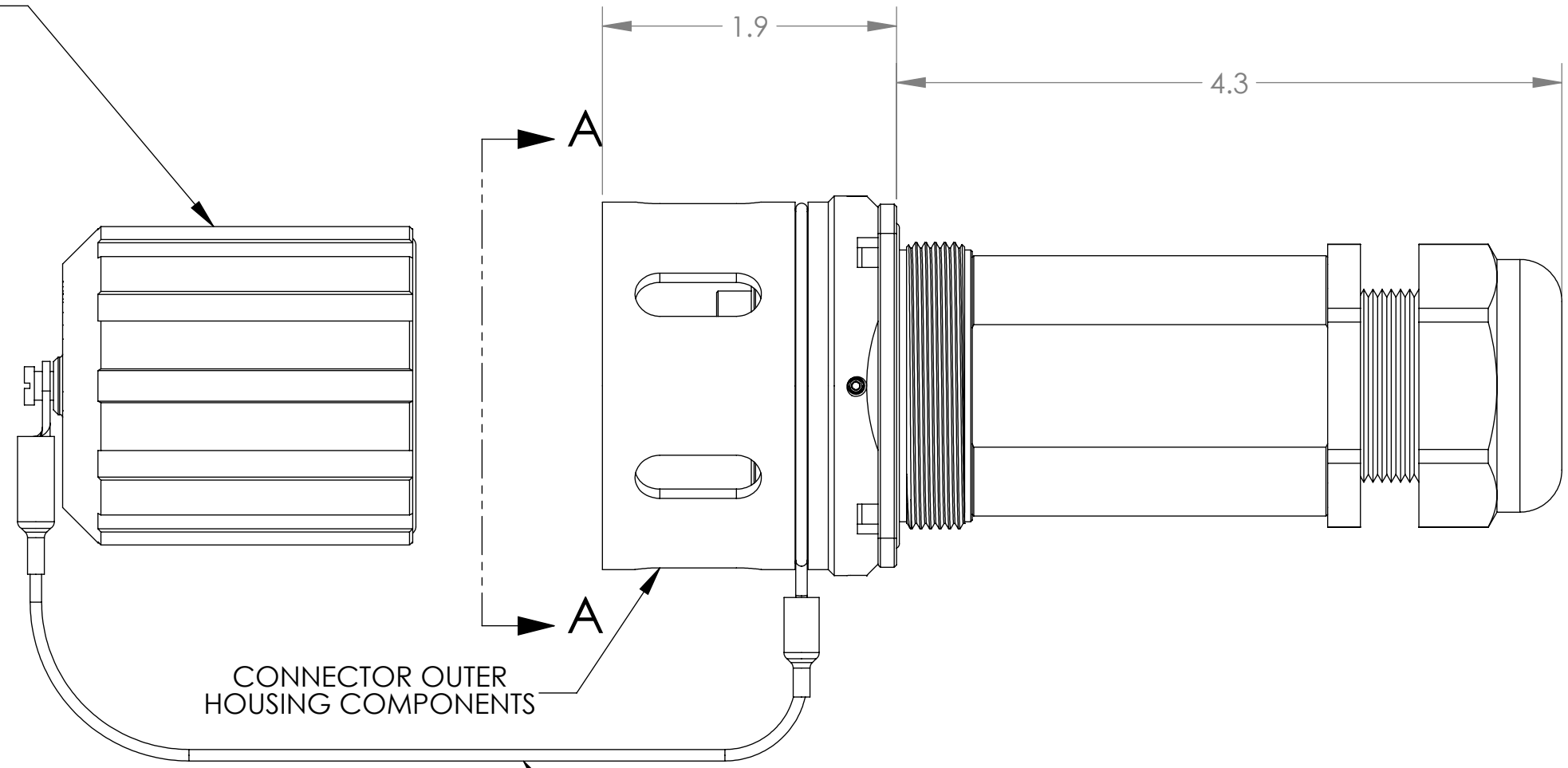


SECTION A-A



RECOMMENDED PANEL CUTOUT

FEMALE DUSTCAP



CONNECTOR OUTER HOUSING COMPONENTS

DUSTCAP LANYARD AND HARDWARE (STAINLESS AND NYLON)



- NOTES:
1. RECEPTACLE OUTER COMPONENTS MATERIAL: 6061-T6 ALUMINUM
 2. FINISH: F30 BLACK HARD ANODIZED WITH TEFLON IMPREGNATION PER STRAN PLATING DOCUMENT STS-101 LATEST REVISION.
 3. ALL DIMENSIONS ARE IN INCHES AND ARE FOR REFERENCE USE ONLY.

TOLERANCES	DRAWN BY M. DECARLO	DATE 12-14-11	<p>39 GREAT HILL ROAD NAUGATUCK, CT 06770 (203) 729-2572</p>
.0	CHECKED BY	DATE	
.00	APPROVED BY	DATE	
.000			
.0000			
ANGLES			
<p>ALL DIMENSIONS ARE IN INCHES. ALL DIMENSIONS APPLY AFTER PLATING</p> <p>PROPRIETARY INFORMATION</p> <p>THIS DOCUMENT CONTAINS PROPRIETARY INFORMATION OF STRAN TECHNOLOGIES AND IS DELIVERED ON THE EXPRESSED CONDITIONS THAT IT IS NOT TO BE DISCLOSED OR REPRODUCED IN WHOLE OR PART, OR USED FOR MANUFACTURING FOR ANYONE OTHER THAN STRAN TECHNOLOGIES WITHOUT ITS WRITTEN CONSENT AND THAT NO RIGHT IS GRANTED TO DISCLOSE OR SO USE ANY INFORMATION CONTAINED IN SAID DOCUMENT.</p>			<p>CONN. ASS'Y, 12 CH. TFOCA GenX HYBRID RECEPT., (4) 12AWG & (8) MULTIMODE, BLK. AN. FOR .77" DIA. CABLE</p>
THIRD ANGLE PROJECTION	DWG SIZE C	PART NO. 900-0509	REV. 05
DRAWING PER ISO 1101 AND ISO 129	SCALE 1:1	CAGE CODE: 1HVUS	SHEET 1 OF 1

CUSTOMER USE DRAWING

PART NO. 900-0509
SHEET 1
REV. 05