

Field Master Motorized Field Polisher



FIELD MASTER

STRAN Technologies FM1000 series fiber connector polishers are unique field or lab polishing machines. The Field Master is equipped with a high-torque DC motor that can operate between 6-12 V DC. A car cigarette lighter outlet is a very handy power source regardless of where in the world your field service support takes you.

The Field Master allows adjustable force through a micrometer to ensure consistent dome finish for a wide variety of connector types and the number of connectors in the fixture. One can polish one, or two, connectors/ferrules in one polish run. Owning a polisher like these is a significant step forward for technicians/installers who are used to polishing connectors by hand using a polishing puck. The improvement in polish quality

and endface geometry, particularly important for singlemode fiber connectorization, is so dramatic one will never want to go back to hand work.

Features:

- Polish up to two connectors or ferrules simultaneously
- Quick release for convenient removal of polishing fixture
- Micrometer force adjustment for perfect pressure on 1 or 2 ferrules and different ferrule sizes
- Low center of gravity for stability
- Small footprint for transportability
- Quick-change mechanism allows rapid removal of polishing fixture
- Universal fixture fits all connectors/ferrules with the same ferrule diameter (PP250 fixture standard for FC, ST, SC and TFOCA GenX)
- Reference plate for precise ferrule protrusion (longer polishing film life, faster run cycle and higher yield)
- Flexure mechanism lock/unlock ferrule/connectors in place firmly and quickly

MILITARY TACTICAL

MILITARY SHIPBOARD

ENERGY

MINING

AEROSPACE

COMMERCIAL

Field Master Motorized Field Polisher



MILITARY TACTICAL

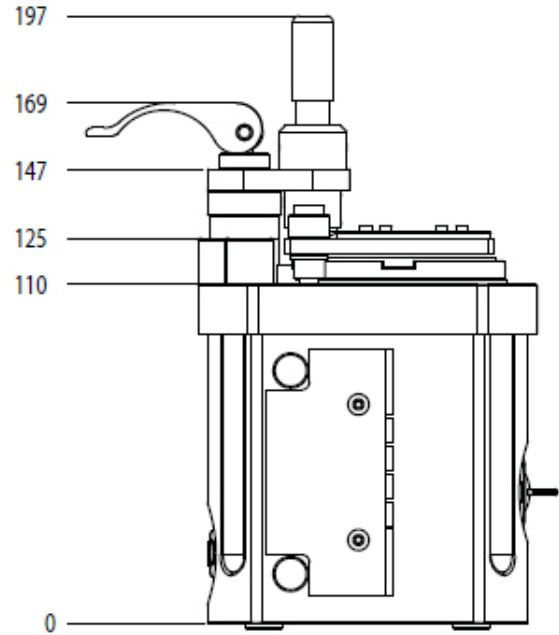
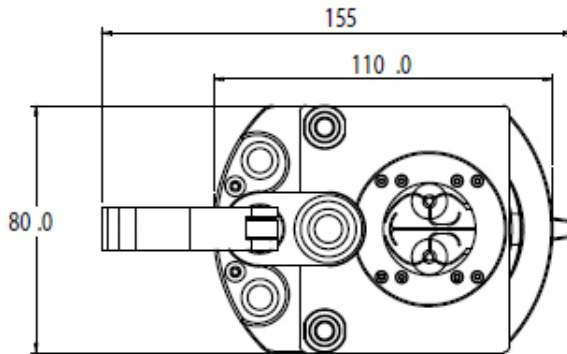
MILITARY SHIPBOARD

ENERGY

MINING

AEROSPACE

COMMERCIAL



Part Numbers and Accessories

| | |
|---------|--|
| FM1000 | Polisher with 6-12VDC Motor includes: Fixture for 2.5mm ferrule, Polishing rubber pad, and Polishing glass pad |
| RP1000 | Polishing Rubber Pad (80 Durometer) |
| GP1000 | Polishing Glass Disk |
| PP250 | Fixture for 2.5mm ferrule or FC, ST, SC or TFOCA GenX |
| PP250FA | Fixture for 2.5mm angled ferrule for FC/APC |
| PP250SA | Fixture for 2.5mm angled ferrule for SC/APC |
| PP125 | Fixture for 1.25mm ferrule or LC |
| PP125A | Fixture for 1.25mm ferrule for LC/APC |
| PP318 | Fixture for 3.18mm ferrule or SMA905 |
| PPMTRJ | Fixture for MTRJ |
| PP200 | Fixture for 2.00mm ferrules or TacLight, M29504/14 & /15 |
| PP180 | Fixture for 1.80mm ferrules |
| PP160 | Fixture for 1.60mm ferrules or M29504/4 & /5 |
| | Polishing film available by request |